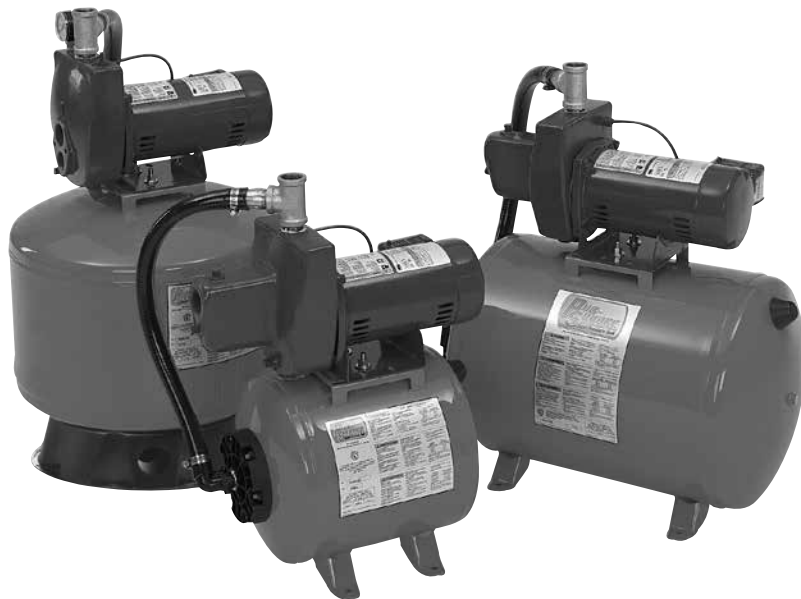


# PRO-SOURCE® Jet/Tank Packages

Cast Iron



Pro-Source™ Water System Packages are handy and economical pump/tank packages for the professional contractor. The Pro-Source Water System Packages utilize the ProJet™ cast iron jet pumps and the dependable

Pro-Source quality pressurized steel tanks. Plumbing connections are made using galvanized fittings and 3-ply nylon reinforced vinyl tubing with stainless steel hose clamps. Ideal for installations where there is limited space.

## APPLICATIONS

Water systems, sprinkling and pressure boosting...for homes, farms and cottages.

## SPECIFICATIONS

**Max. Liquid Temperature:**

120°F (49°C)

**Max. Inlet Pressure:** 50 PSI

**Pump Discharge PSI:** Not to exceed 100 PSI

## FEATURES

### ProJet™ Jet Pumps

**Body:** Close-grained cast iron

**Nozzle:** High-strength polycarbonate

**Venturi:** Polycarbonate

**Impeller:** Noryl®

**Diffuser:** Reinforced polypropylene

**Shaft:** 416 stainless steel

**Base:** Steel, 10 gauge

### Pro-Source™ Pressurized Tanks

**Shell:** Heavy-gauge steel

**Base:** High-impact composite; polypropylene

**Finish:** Baked-on polyester paint

**Water Cell:** PVC made from FDA listed material

**Flange:** Reinforced polypropylene

**Connections:** Galvanized

**Tubing:** 3-ply nylon reinforced vinyl with stainless steel hose clamps

## ORDERING INFORMATION

JET/TANK CATALOG NUMBER	HP	JET PUMP TYPE	PUMP CAT. NO.	TANK CAT. NO.	TANK STYLE	TANK CAPACITY U.S. GAL.	DRAWDOWN @ 30-50 PSI SWITCH SET.	CONNECTION SIZE FEMALE	APPROX. WT. LBS.
SNCP15H	1/2	Shallow Well	SNC	PS6H-S05	Horizontal	6	1.8	3/4" NPT	85
SNCP42H	1/2	Shallow Well	SNC	PS19H-S00	Horizontal	19	5.8	1" NPT	95
SNCP42	1/2	Shallow Well	SNC	PS19S-T02	Vertical	19	5.8	1" NPT	120
SLCP42*	1/2	Deep Well	SLC	PS19S-T02	Vertical	19	5.8	1" NPT	127
SLDP42*	3/4	Deep Well	SLD	PS19S-T02	Vertical	19	5.8	1" NPT	130

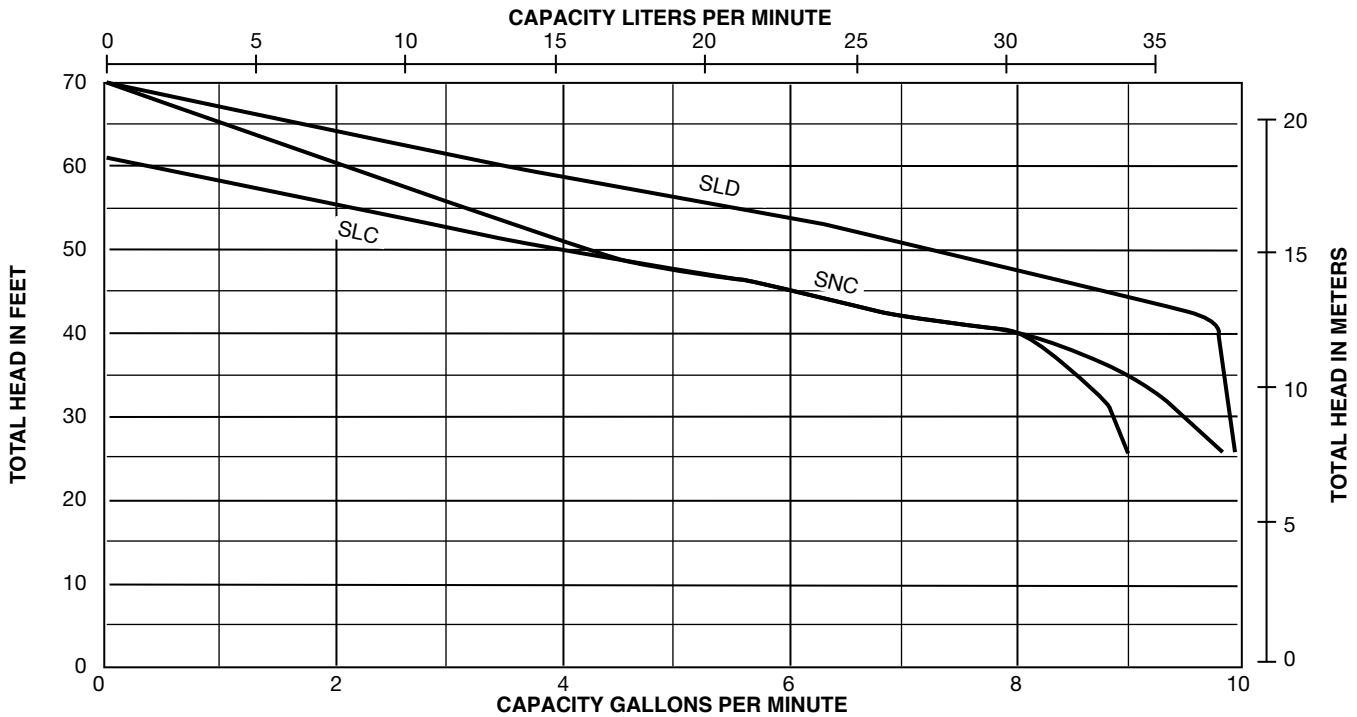
\*Shallow well/deep well Jet Package included.

Pentair trademarks and logos are owned by Pentair plc or its affiliates. All other third party registered and unregistered trademarks and logos are the property of their respective owners.

# PRO-SOURCE® Jet/Tank Packages

Cast Iron

## PUMP PERFORMANCE



### TANK DRAWDOWN (In gallons)

TANK CATALOG NUMBER	PRESSURE SWITCH SETTING		
	20-40	30-50	40-60
PS6H-S05	2.2	1.8	1.6
PS19S-T02	6.9	5.8	5.0
PS19H-S00	6.9	5.8	5.0

### SHALLOW WELL PUMP PERFORMANCE (Capacity in gallons per minute)

CATALOG NUMBER	HP	TOTAL SUCTION LIFT	DISCHARGE PRESSURE (PSI)			SHUT-OFF PSI
			30	40	50	
SNC	1/2	5'	9.7	7.9	4.5	67
		10'	8.3	7.2	3.8	65
		15'	7.4	6.4	3.1	62
		20'	5.9	5.6	2.7	60
		25'	4.3	4.1	1.8	58

NOTE: Pump will operate at all depths shown, with pressure switch set at 30-50 PSI.  
Pumps installed with Pro-Source® tank require a 100 PSI relief valve.

## PUMP PERFORMANCE (Capacity in gallons per minute)

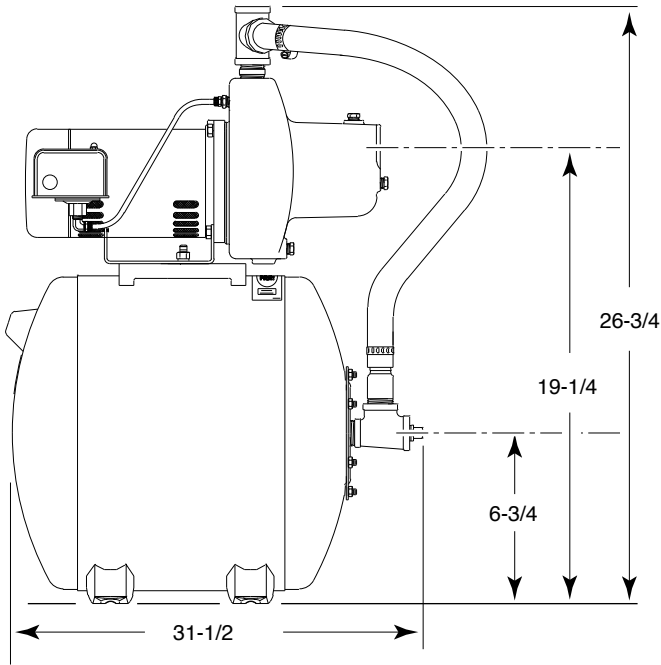
CATALOG NUMBER	HP	USE VENTURI/NOZZLE	EJECTOR PKG.*	SHALLOW WELL JET COMBINATIONS					SHUT-OFF PSI		
				TOTAL SUCTION LIFT	DISCHARGE PRESSURE (PSI)						
					30	40	50	60			
SLC	1/2	N32P-66B J34P-41	29SD	5'	9.0	7.9	4.1	-	61		
				15'	7.2	6.3	3.3	-	56		
				25'	4.7	4.1	2.1	-	52		
SLD	3/4	N32P-66B J34P-41	29SD	5'	9.9	9.8	7.3	3.5	70		
				15'	7.9	7.8	5.8	2.8	64		
				25'	5.1	5.0	3.8	1.7	59		
CATALOG NUMBER	HP	USE VENTURI/NOZZLE	EJECTOR PKG.*	DISCHARGE PRESSURE PSI	DEEP WELL JET COMBINATIONS						
					DISCHARGE PRESSURE (PSI)						SHUT-OFF MIN. DEPTH
				30	40	50	60	70	80		
SLC	1/2	J32P-24 J34P-41	4SD	30	7.3	5.8	4.5	3.3	2.3	-	68
				40	4.5	3.4	2.3	-	-	-	
SLD	3/4	J32P-24 J34P-41	4SD	30	8.9	7.3	6.4	5.0	4.0	2.5	75
				40	6.5	5.1	4.0	3.0	1.8	0.8	

# PRO-SOURCE® Jet/Tank Packages

Cast Iron

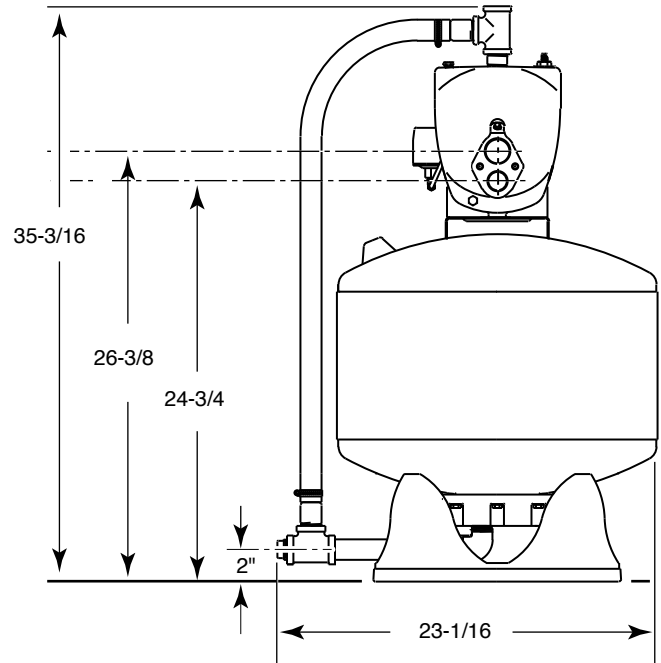
## OUTLINE DIMENSIONS: SHALLOW WELL

**SNCP15H**

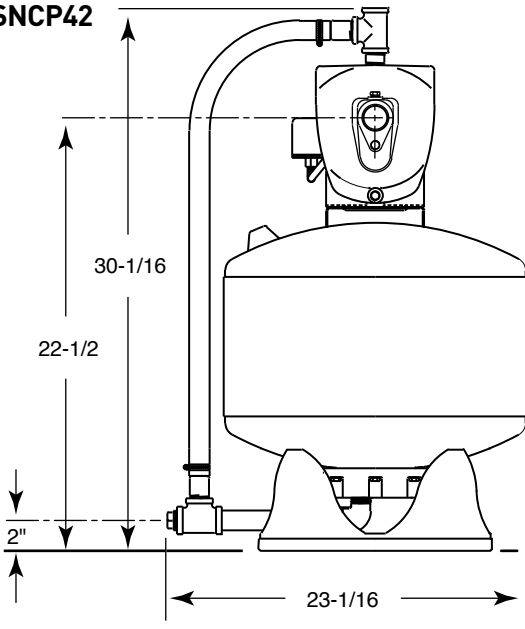


## OUTLINE DIMENSIONS: DEEP WELL

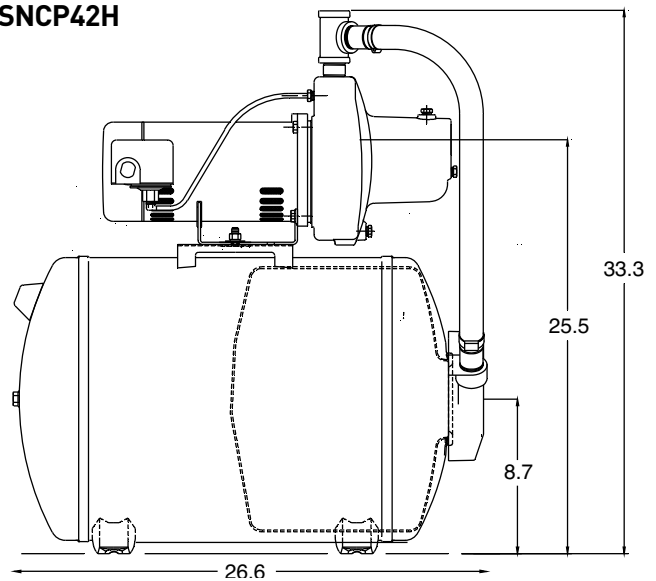
**SLCP42, SLDP42**



**SNCP42**



**SNCP42H**





US: 293 WRIGHT STREET, DELAVAN, WI 53115 WWW.STA-RITE.COM PH: 888-782-7483 ORDERS FAX: 800-426-9446  
CANADA: 490 PINEBUSH ROAD, UNIT 4, CAMBRIDGE, ONTARIO N1T 0A5 PH: 800-363-7867 ORDERS FAX: 888-606-5484  
Because we are continuously improving our products and services, Pentair reserves the right to change specifications without prior notice.